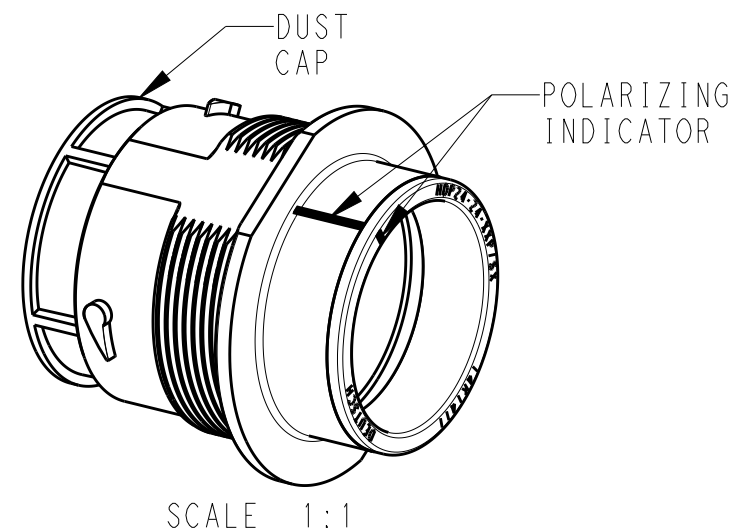
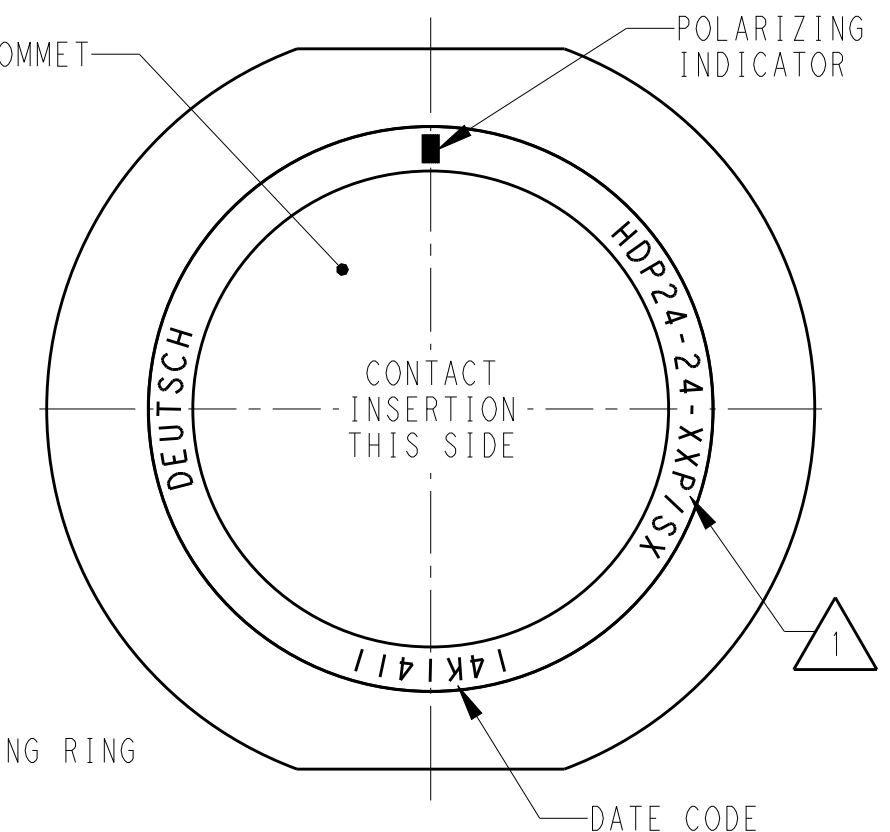
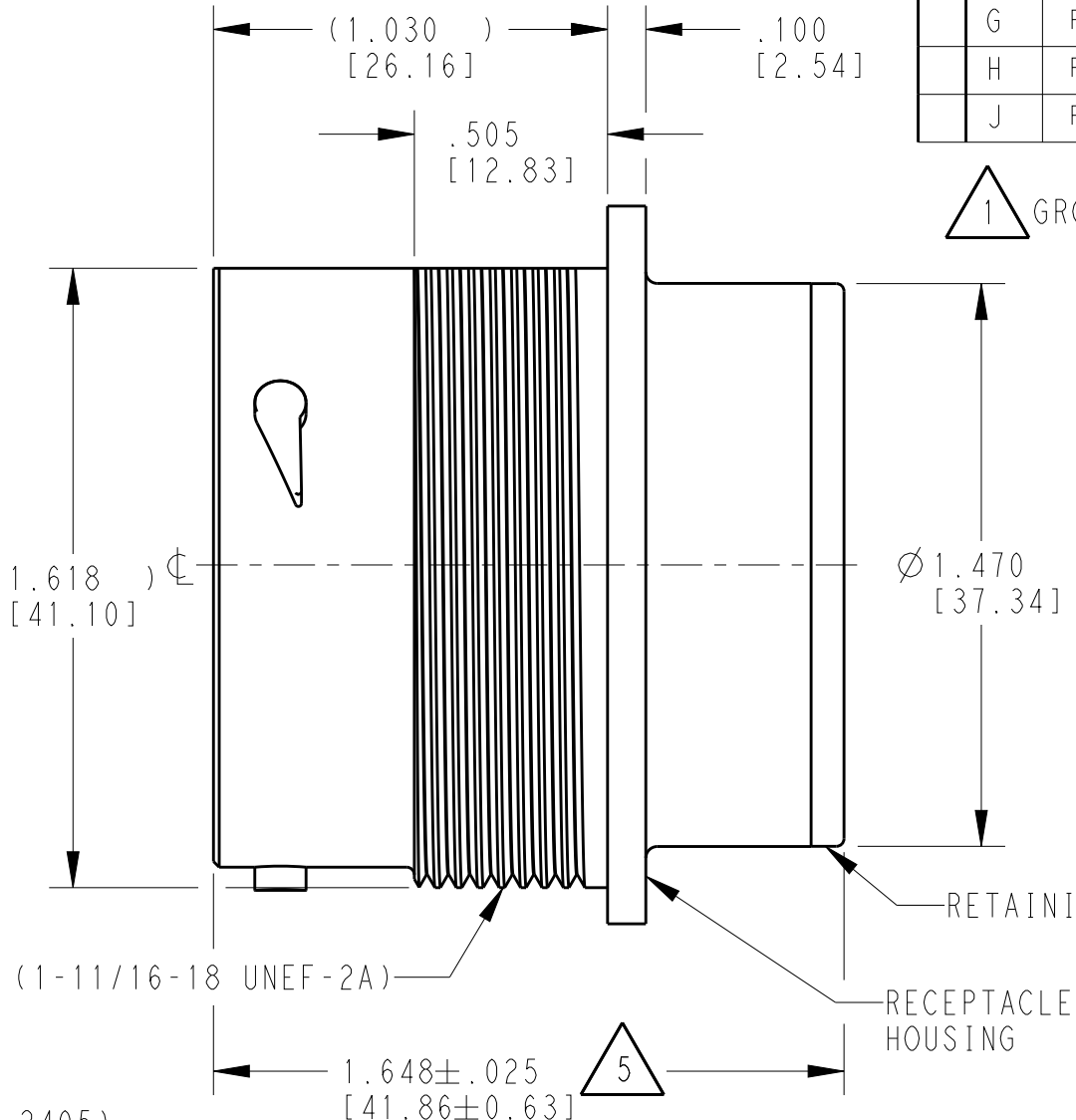
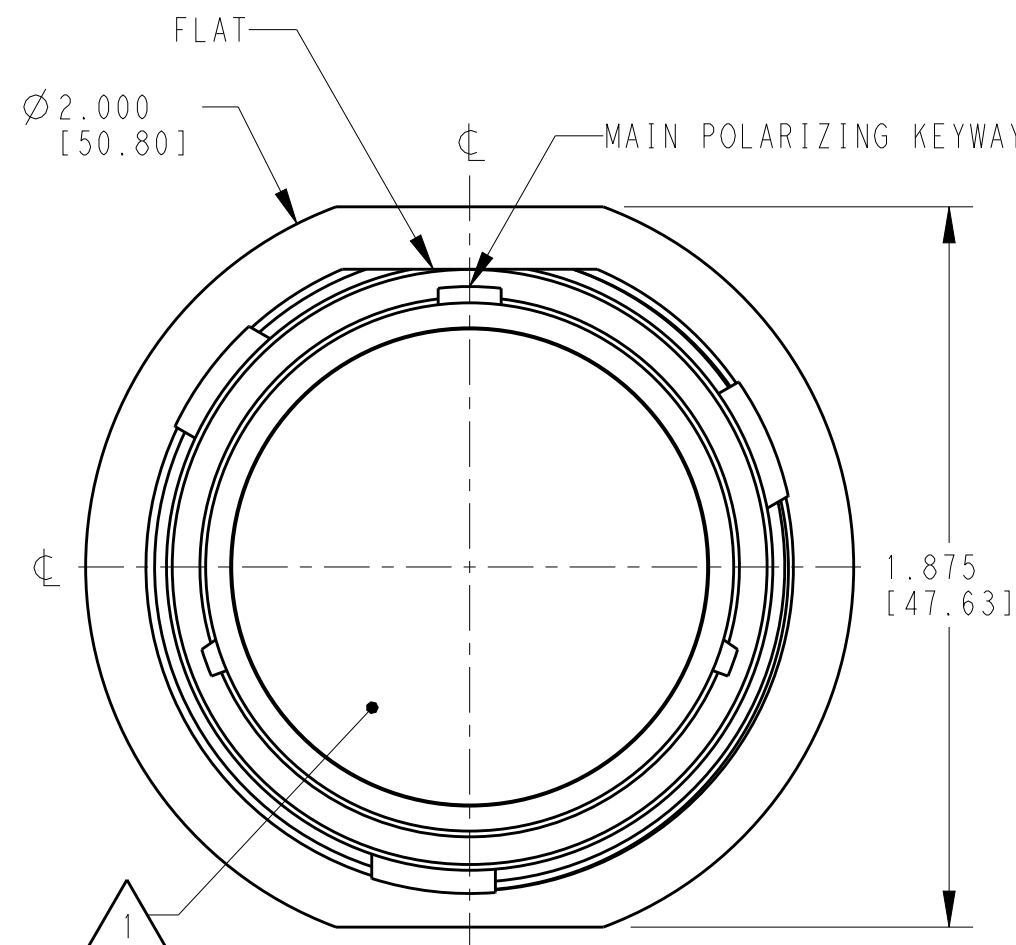


P	LTR	DESCRIPTION	DATE	DWN	APVD
F		REVISED PER E.O. P18119	14APR2003	AR	RDR
G		REVISED PER E.O. P18449	04FEB2004	XS	RDR
H		REVISED PER E.O. P21391	15JUN2012	AM	RDR
J		REVISED PER ECO-14-019072	23FEB2015	JA	DM



6. RECEPTACLE IS SUPPLIED WITH DUST CAP (2415-001-2405).

5. NOTED DIMENSION DOES NOT INCLUDE GROMMET PROTRUSION.

4. MATERIAL: RECEPTACLE HOUSING: PA66 GF10 (BLACK)
 RETAINER RING: PA66 GF10 (GREEN, GRAY, BLUE)
 GROMMET: SILICONE (ORANGE-RED)

3. SEE 0425-021-0000 APPLICATION SPECIFICATION
 A. RECOMMENDED WIRE INSULATION RANGE
 B. CONTACT REMOVAL TOOLS
 C. RECOMMENDED MOUNTING HOLE & PANEL THICKNESS
 D. MOUNTING HARDWARE & MOUNTING TORQUE.

2. THIS RECEPTACLE MATES WITH HDP26-24-XXP/SX-XXXX PLUG
 X = SEAL TYPE (N,T,E)
 XX = INSERT ARRANGEMENT
 XXXX = MODIFICATION

1. SEE CUSTOMER DRAWING, 0425-014-2400 FOR AVAILABLE INSERT ARRANGEMENTS AND PART NUMBERS.

NOTES:

THIS DRAWING IS A CONTROLLED DOCUMENT.		DWN	03MAR2000	 TE Connectivity	NAME RECEPTACLE, THREADED SIZE 24 HDP SERIES
		CHK	04FEB2004		
DIMENSIONS: INCHES [mm]		APVD	16JAN2004	SIZE	A3
		PRODUCT SPEC	0425-021-0000	CAGE CODE	4AFU8
TOLERANCES UNLESS OTHERWISE SPECIFIED:		APPLICATION SPEC	3	DRAWING NO	0425-021-0000
0 PLC	±	WEIGHT		RESTRICTED TO	-
1 PLC	±	MATERIAL	4	SCALE	2:1
2 PLC	±	FINISH	N/A	SHEET	1 OF 1
3 PLC	±.015 [0.38]	Customer Drawing			
4 PLC	±	REV J			
ANGLES	±0°30'0"				